

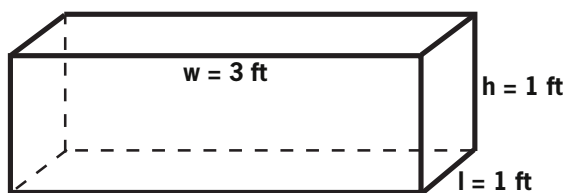
Name: _____ Date: _____

Prisms: Area & Volume

1. What is the formula for the volume of a prism?

2. What is the formula for surface area of a prism?

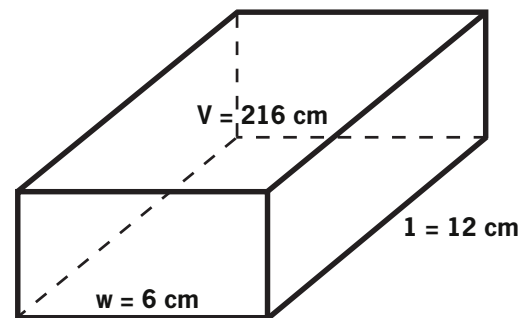
3.



$V =$ _____

Surface Area = _____

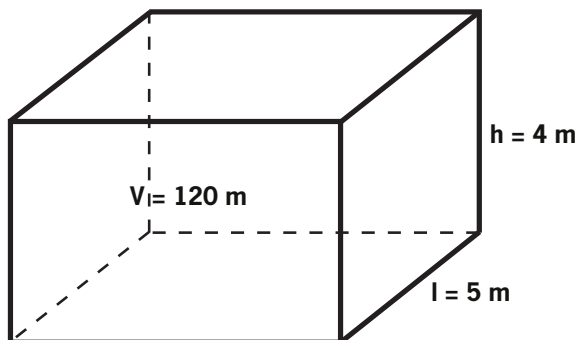
4.



$h =$ _____

Surface Area = _____

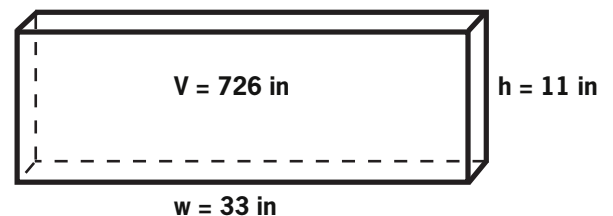
5.



$w =$ _____

Surface Area = _____

6.



$l =$ _____

Surface Area = _____

7. Mickey gave his little sister a juice box that is 3 inches high, 2 inches wide, and 1 inch long. How much juice fits in the juice box?

8. Sal is wrapping a gift box with the dimensions 8 in x 3 in x 2 in. He has a sheet of 8 in x 10 in wrapping paper. Does he have enough to wrap the package?